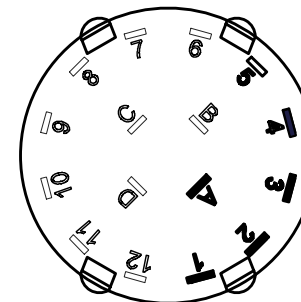
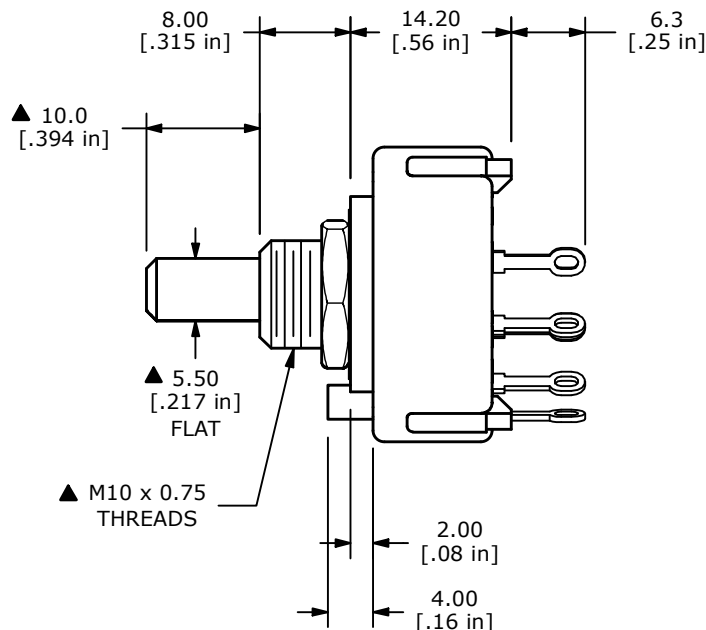
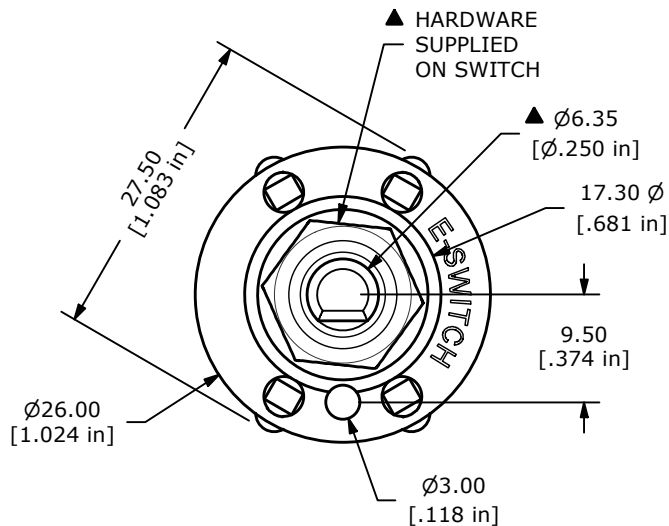


CONTACT CONFIGURATION
TIMING (BBM) NON-SHORTING



NOTE:

1. ALL DIMENSIONS IN MM[INCH].
2. GENERAL TOLERANCE: X.X = ± 0.4
X.XX = ± 0.25
3. TERM. NOS. FOR REFERENCE ONLY.
- ▲ 4. CONTACT MATERIAL: SILVER
5. CONTACT RATING: 150MILLIAMP, 250VAC/DC
350MILLIAMP, 110VAC/DC
6. CONTACT RATING (NON-SWITCHING) 0.3A @ 125VAC
7. CONTACT RESISTANCE: 50 Mille-OHM Max.
8. ROTATIONAL TORQUE: 0.8 ± 0.3 Kg-CM
9. OPERATING TEMP: -30°C to 85°C
- ▲ 10. CIRCUIT SP: 4 POSITION 30° INDEX.
11. DIELECTRIC STRENGTH: 1000V RMS MIN.@ SEA LEVEL
12. WITHSTAND VOLTAGE: 500VAC FOR 1 MINUTE.
- ▲ 13 HARDWARE SUPPLIED ON SWITCH:
LOCKWASHER, HEXNUT, STOP RING
14. ▲ DENOTES CRITICAL PARAMETER.



A	24273	RELEASED FOR PRODUCTION	4/21/20	MW
REV	PCR NO	DESCRIPTION	DATE	BY

TITLE KC14A10.002NLS				
SCALE	DATE	DR	DWG	REV
3:2	4/21/2020	MW	G530176	A

THE INFORMATION CONTAINED IN THIS DOCUMENT IS PROPRIETARY TO E-SWITCH AND IS NOT TO BE COPIED OR TRANSFERRED